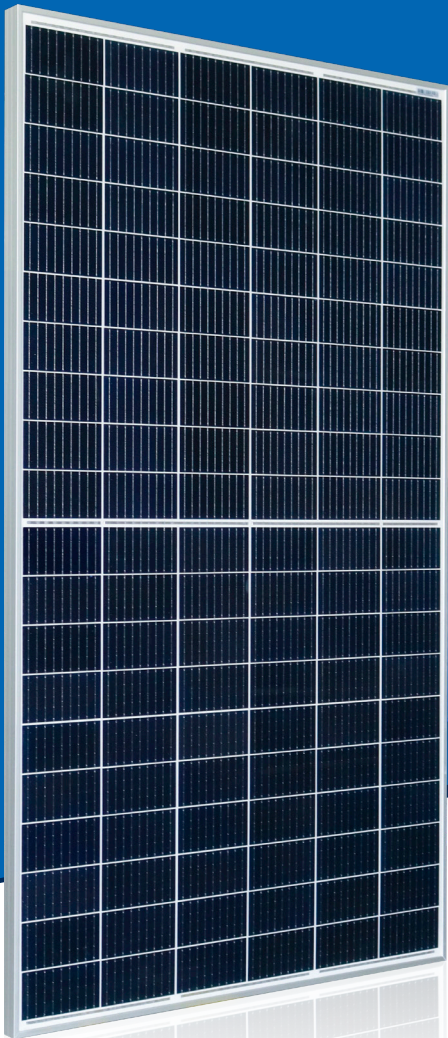


AstroSemi™

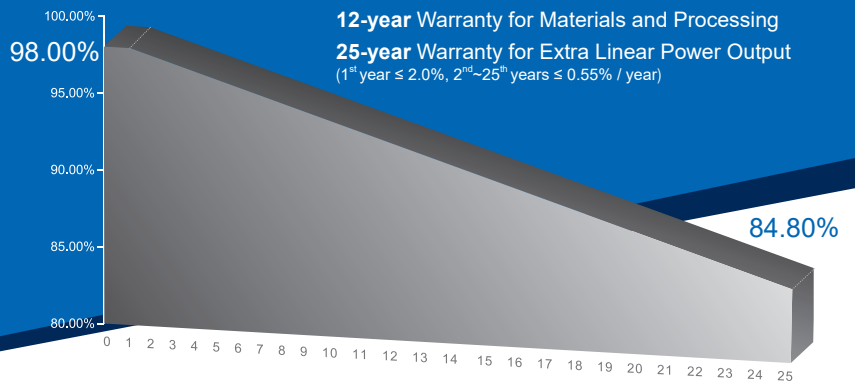
Incredible Power for Small Body



335W~350W

Monocrystalline PV Module

CHSM60M-HC Series (158.75)



KEY FEATURES

- OUTPUT POSITIVE TOLERANCE**
 Guaranteed 0~+5W positive tolerance ensures power output reliability.
- INNOVATIONAL HALF-CELL TECHNOLOGY**
 Improves the module output, decreases the risk of micro-crack, enhances the module reliability.
- INNOVATIVE PERC CELL TECHNOLOGY**
 Excellent cell efficiency and output.
- REDUCE SHADOW LOSS**
 Effectively reduces the effect of shadow on the module surface.
- REDUCE INTERNAL MISMATCH LOSS**
 Reduces mismatch loss and improves output.
- PASSED HAIL TEST**
 Certified to hail resistance: ice ball size (d=25mm) and ice ball velocity (v=23m/s).
- Anti PID RESISTANCE**
 Excellent PID resistance at 96 hours (@85°C /85%) test, and also can be improved to meet higher standards for the particularly harsh environment.

COMPREHENSIVE CERTIFICATES



First solar company which passed the TUV Nord IEC/TS 62941 certification audit.

For Global Market



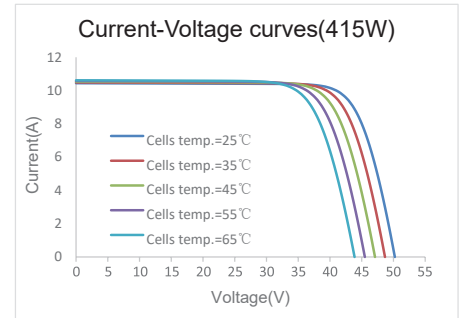
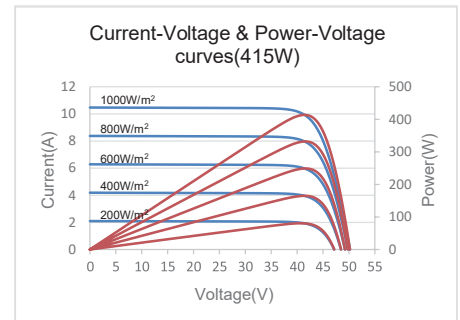
ASTRONERGY
A CHNT COMPANY

ELECTRICAL SPECIFICATIONS

STC rated output (P_{mpp})*	335 Wp	340 Wp	345 Wp	350 Wp
Rated voltage (V_{mpp}) at STC	34.44 V	34.69 V	34.96 V	35.22 V
Rated current (I_{mpp}) at STC	9.73 A	9.80 A	9.87 A	9.94 A
Open circuit voltage (V_{oc}) at STC	41.61 V	41.88 V	42.16 V	42.44 V
Short circuit current (I_{sc}) at STC	10.22 A	10.30 A	10.38 A	10.46 A
Module efficiency	19.8%	20.1%	20.3%	20.6%
Rated output (P_{mpp}) at NMOT	249.8 Wp	253.5 Wp	257.3 Wp	261.0 Wp
Rated voltage (V_{mpp}) at NMOT	32.10 V	32.35 V	32.59 V	32.83 V
Rated current (I_{mpp}) at NMOT	7.78 A	7.84 A	7.89 A	7.95 A
Open circuit voltage (V_{oc}) at NMOT	39.12 V	39.37 V	39.64 V	39.90 V
Short circuit current (I_{sc}) at NMOT	8.22 A	8.28 A	8.35 A	8.41 A
Temperature coefficient (P_{mpp})	- 0.34%/°C			
Temperature coefficient (I_{sc})	+0.04%/°C			
Temperature coefficient (V_{oc})	- 0.27%/°C			
Nominal module operating temperature (NMOT)	44±2°C			
Maximum system voltage (IEC/UL)	1500V _{DC}			
Number of diodes	3			
Junction box IP rating	IP 68			
Maximum series fuse rating	20 A			

STC: Irradiance 1000W/m², Cell Temperature 25°C, AM=1.5
 NMOT: Irradiance 800W/m², Ambient Temperature 20°C, AM=1.5, Wind Speed 1m/s

CURVE



MECHANICAL SPECIFICATIONS

Outer dimensions (L x W x H)	1692 x 1002 x 35 mm
Frame technology	Aluminum, silver anodized
Module composition	Glass / EVA / Backsheet (white)
Front glass thickness	3.2 mm
Cable length (IEC/UL)	Portrait: 350 mm Landscape: 1100 mm
Cable diameter (IEC/UL)	4 mm ² / 12 AWG
① Maximum mechanical test load	5400 Pa (front) / 2400 Pa (back)
Fire performance (IEC/UL)	Class C (IEC) or Type 1 (UL)
Connector type (IEC/UL)	MC4 compatible

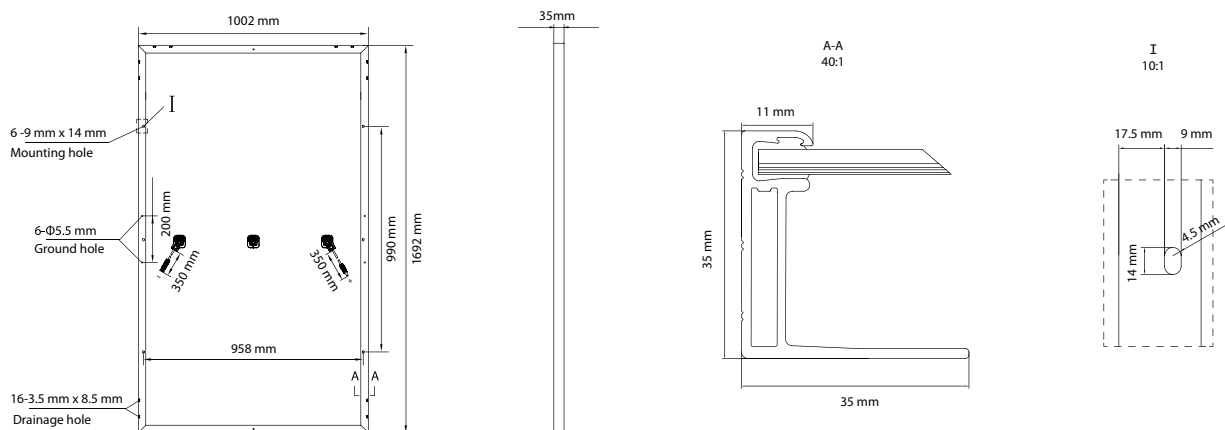
① Refer to Astronergy crystalline installation manual or contact technical department.
 Maximum Mechanical Test Load=1.5×Maximum Mechanical Design Load.

PACKING SPECIFICATIONS

① Weight (module only)	19.1 kg
② Packing unit	31 pcs / box
Weight of packing unit (for 40'HQ container)	631 kg
Number of modules per 40'HQ container	806 pcs

① Tolerance +/- 1.0kg
 ② Subject to sales contract

MODULE DIMENSION DETAILS



© Chint Solar (Zhejiang) Co., Ltd. Reserves the right of final interpretation. please contact our company to use the latest version for contract.