



B-Box HV Installation Manual

Rev.1_July.2017

Contents

SAFETY	3
1 PRODUCT OVERVIEW	4
2 BCU INTRODUCTION	5
3 DESCRIPTION OF B-PLUS-H INTERFACE AND TERMINAL.....	7
4 B-BOX HV INVERTER CONFIGURATION LIST	8
4.1 B-Box HV CONFIGURATION LIST WITH SMA SUNNY BOY STORAGE – ON GRID.....	8
4.2 B-Box HV CONFIGURATION LIST WITH KOSTAL – ON GRID	8
5 PREPARATION	9
5.1 INSTALLATION INSTRUCTIONS	9
5.2 PACKING INFORMATION AND SYSTEM STRUCTURE CONFIGURATION LIST.....	10
5.3 STRUCTURE CONFIGURATION LIST	10
5.4 INSTALLATION TOOLS	11
5.5 PERSONAL PROTECTION EQUIPMENT.....	11
6 INSTALLATION OF SINGLE SYSTEM	12
7 CONNECTING WITH THE INVERTER.....	18
8 SYSTEM BOOT	21
8.1 SWITCH ON THE AIR SWITCH OF BATTERY	21
8.2 SET THE BCU	21
8.3 SWITCH ON THE INVERTER.....	34
8.4 SWITCH ON THE AIR SWITCH OF THE BATTERY, AND THE SYSTEM CAN WORK NORMALLY	34
9 SYSTEM SHUTDOWN	34

Website of installation video: <http://www.byd.com/energy/b-box-25.htm>

Safety



Warning:

When disassembling the system, avoid touching the battery terminal with any metal objects or human body.

All work relating to electrical connections of the system shall be carried out by qualified personnel only.

All operations of B-Box HV relating to electrical connection must be done by professionals.

B-Box HV provides a safe source of electric energy when operated as designed.

Potentially hazardous circumstances such as excessive heat or electrolyte mist may occur under improper operating conditions, damage, misuse and abuse. The following safety precautions and the warning messages described in this section must be observed and complied. If any of the following precautions are not fully understood, or if you have any questions, contact customer service for guidance.

Installation and maintenance personnel must review and operate according to applicable federal, state and local regulations as well as the industry standards regarding this product.

Installation workers may not wear metal accessories, etc. in order to avoid short circuit and personal injury.



Warning:

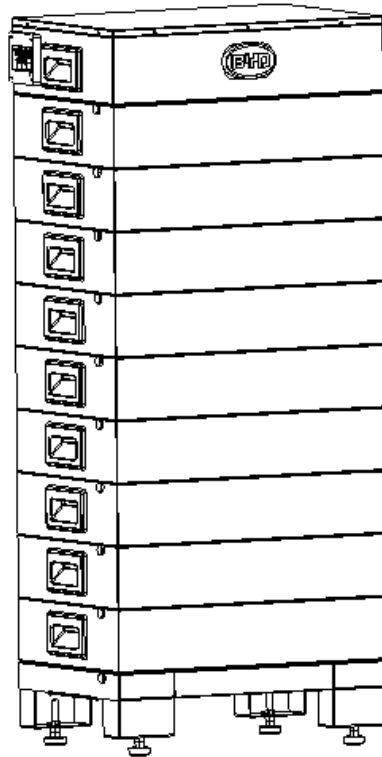
During loading, unloading and handling of the product, be cautious, and avoid accidents of product damage and personal injury due to the falling of product.

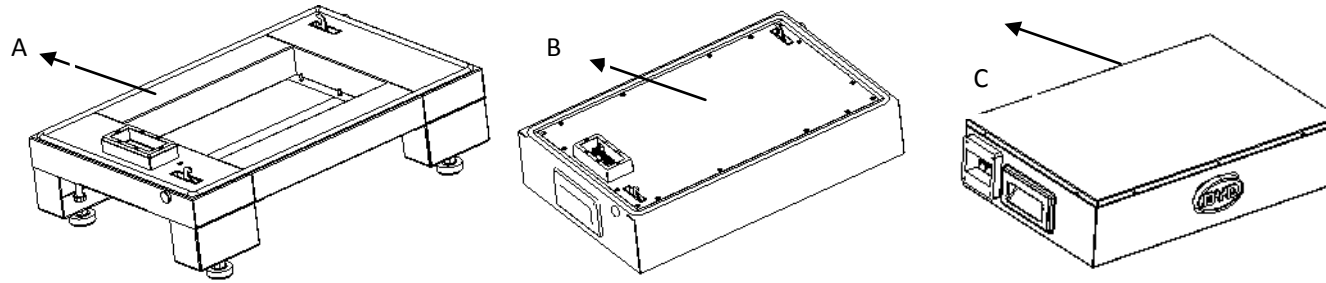
When adding battery, first disconnect the power supply of the battery and other power input.

To avoid danger, DO NOT remove the BCU module when the system is in operation.

1 Product Overview

B-Box HV is the abbreviation of high-voltage battery box, with the operating voltage range within 200~500V. It is applied to the household energy storage field and works together with high-voltage inverter to realize energy storage and release. Each set of battery of the system supports the serial connection of 5~9 battery modules, and parallel connection of 2~5 sets of systems



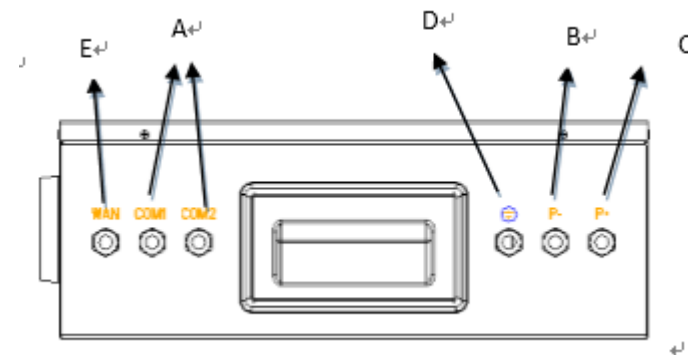


Position	Designation
A	Base
B	B-Plus-H
C	BCU

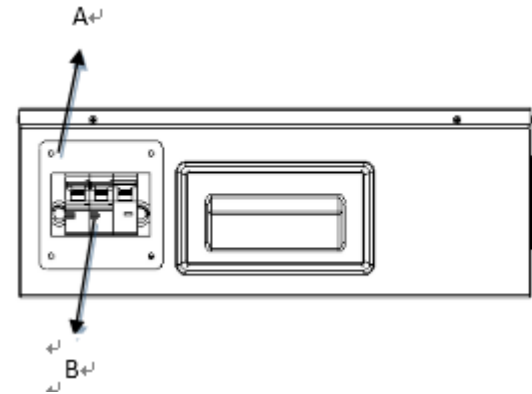
2 BCU Introduction

The battery management and control part, which contains BCU and charge-discharge relay, and connected to the battery modules underneath and to inverter or BMU above.

Position	Designation
A	Inverter communication interface
B	P-interface
C	P+ interface
D	Grounding interface
E	Ethernet interface



Position	Designation
A	Air switch waterproof cover
B	System switch

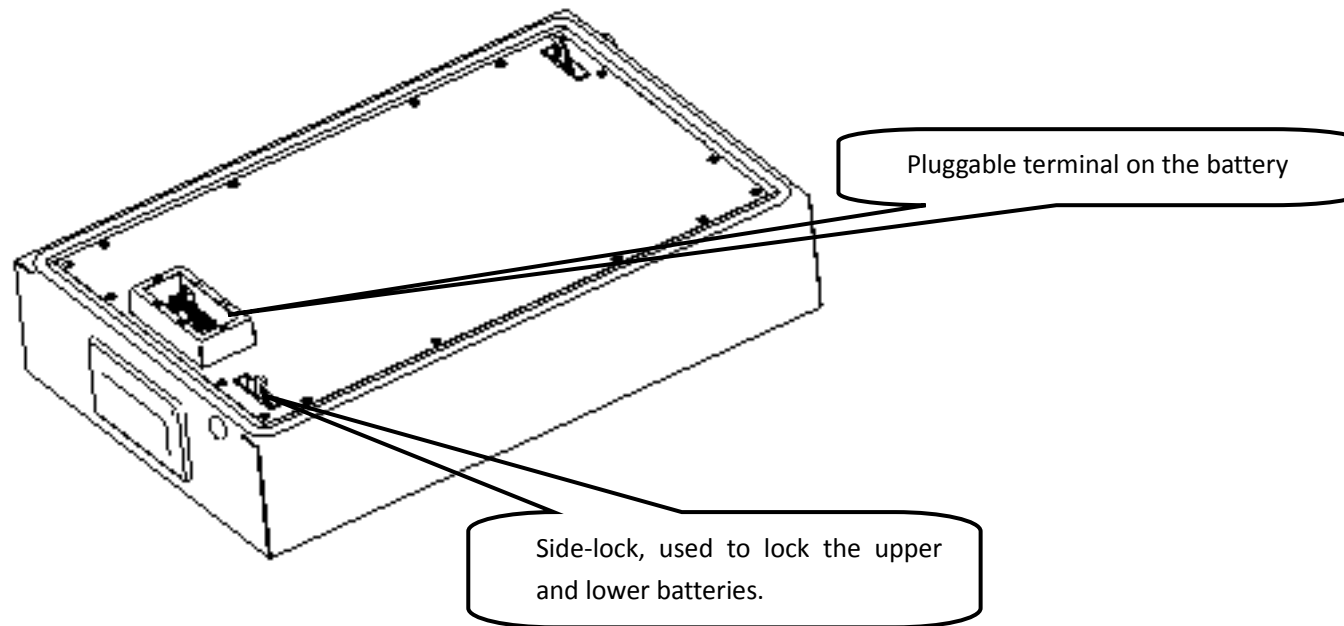


Definition of BCU Functional Interfaces

No.	Interface Name	Description
1	P+	The system positive terminal, connected to the positive terminal of battery interface of inverter.
2	P-	The system negative terminal, connected to the negative terminal of battery interface of inverter.
3	GND	Grounding terminal, connected to the ground.
4	Ethernet	Connected to the Ethernet, to complete the functions of communication and remote program update.
5	Inverter communication	Contain RS485, CAN, and enable signals, outputting 13V power.
6	System switch	The main switch of system, which can be operated manually and has short circuit protection function.

3 Description of B-Plus-H Interface and Terminal

The battery module provides energy and sends the information about the cell voltage and cell temperature in the battery module to the upper-layer BCU.



4 B-Box HV Inverter Configuration List

4.1 B-Box HV Configuration List with SMA Sunny Boy Storage – On Grid

1 Phase on Grid

Inverter Type	B-Plus-H	BCU
Sunny Boy Storage 2.5	5-9	1

4.2 B-Box HV Configuration List with Kostal – On Grid

3 Phase on Grid

Inverter Type	B-Plus-H	BCU
PIKO 6.0 BA	5-9	1

5 Preparation

5.1 Installation Instructions

- a) Before installation, ensure that BCU manual switch is switch off.
- b) The battery shall be installed in a place away from heating source and avoid sparks. The safety distance is greater than 0.5m.
- c) The connecting cables for installing batteries shall be as short as possible, to prevent excessive voltage drop.
- d) Batteries of different capacity, different P/N or from different manufacturers cannot be connected.
- e) After installation, ensure the positive and negative terminals of BCU and inverter are connected correctly.
- f) The installation place shall be on a flat ground, without accumulated water.

5.2 Packing Information and System Structure Configuration List

The battery, BCU+ base are packed in separate carton. Before installation, the installation personnel shall read the system configuration list.

No.	Item Description	Qty	Purpose	Picture
1	Installation Manual	1	Provide guidance for field installation.	\
2	User Manual	1	System information and using method and warranty items.	\

5.3 Structure Configuration List

Type	H6.4	H7.7	H9.0	H10.2	H11.5
BCU + base	1	1	1	1	1
B-Plus-H	5	6	7	8	9
User manual	1	1	1	1	1
Installation Manual	1	1	1	1	1

5.4 Installation Tools



Cross screwdriver

M3~M10



Flat tip screwdriver

M3~M6



Crimping pliers



Diagonal cutters



Adjustable wrench



Inner hexagon spanner



Impact drill

5.5 Personal Protection Equipment



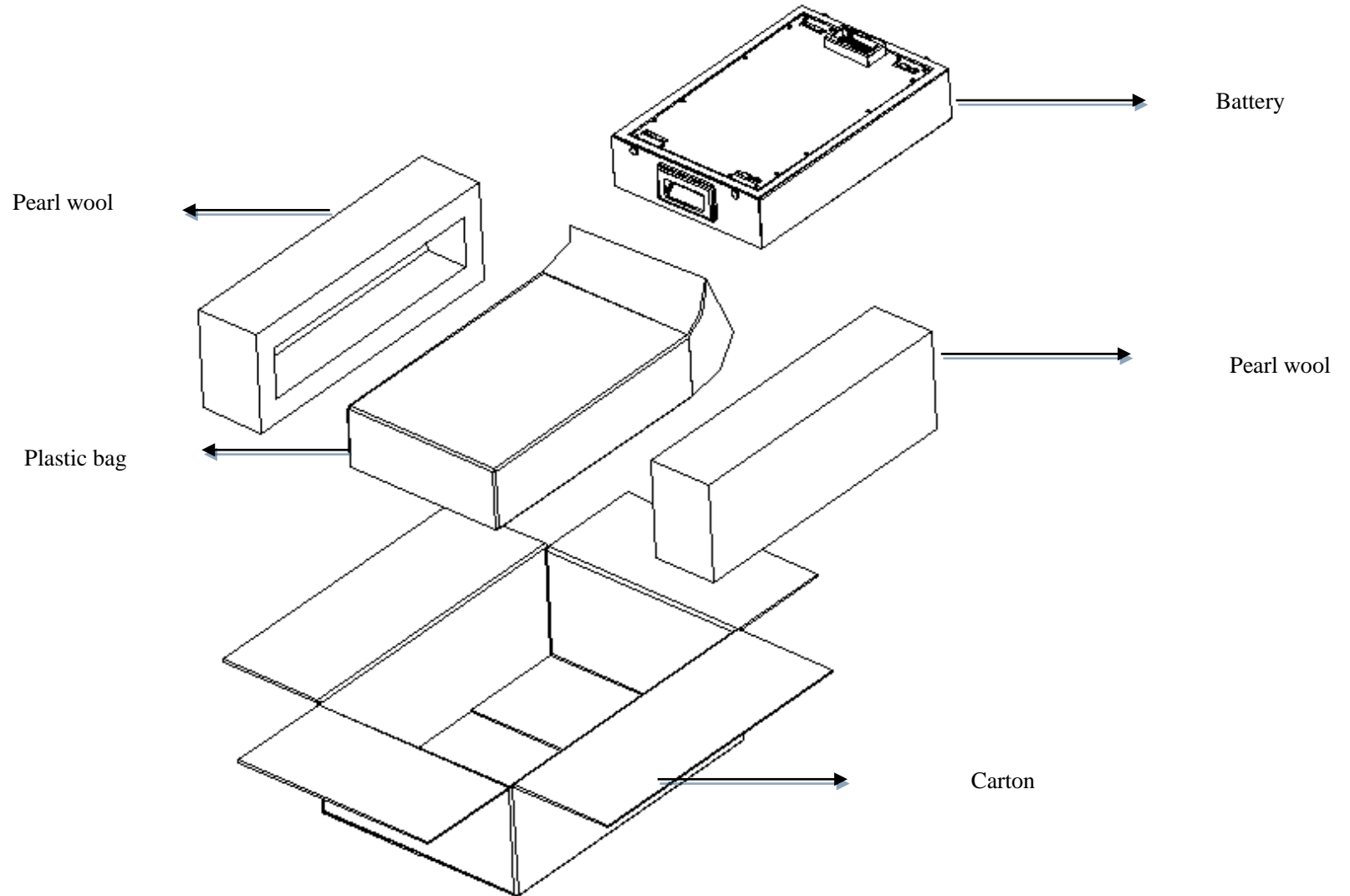
Insulated gloves



Safety shoes

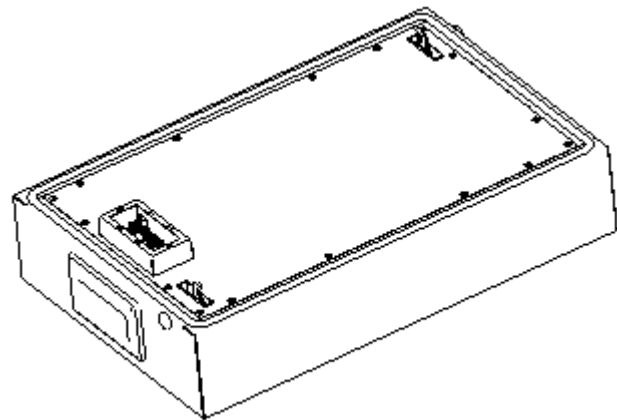
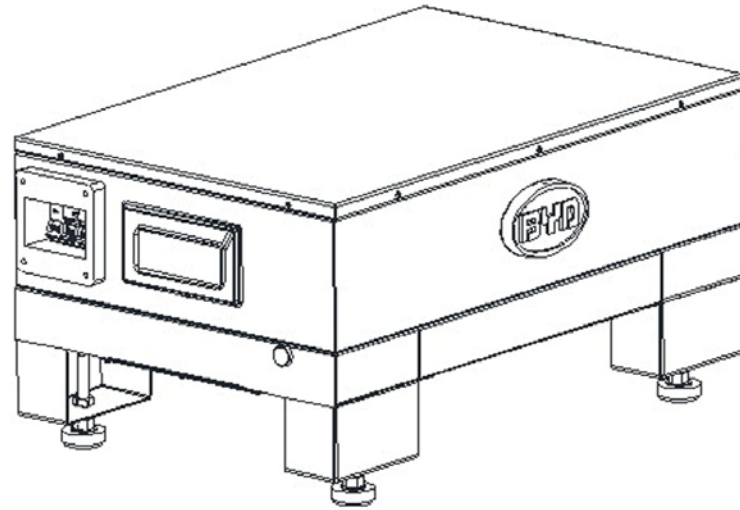
6 Installation of Single System

Step 1: open the battery package;



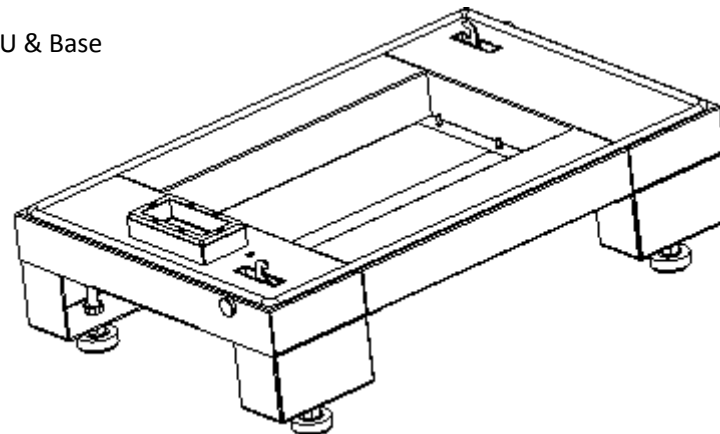
Step 2: Take out the BCU & Base, BCU & Base are locked and packed in the same box (the method is the same as the first step); unlock the lock with inner hexagon spanner, separate the BCU and the base.

Tool: Inner hexagon spanner

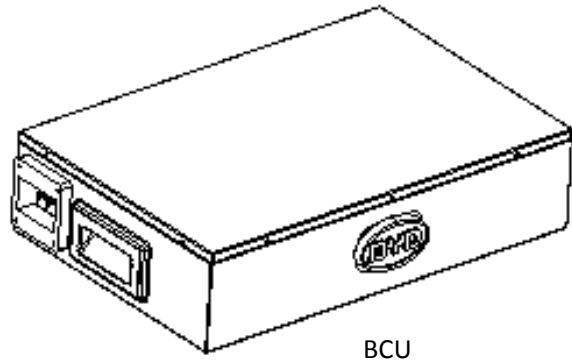


B-Plus-H

BCU & Base



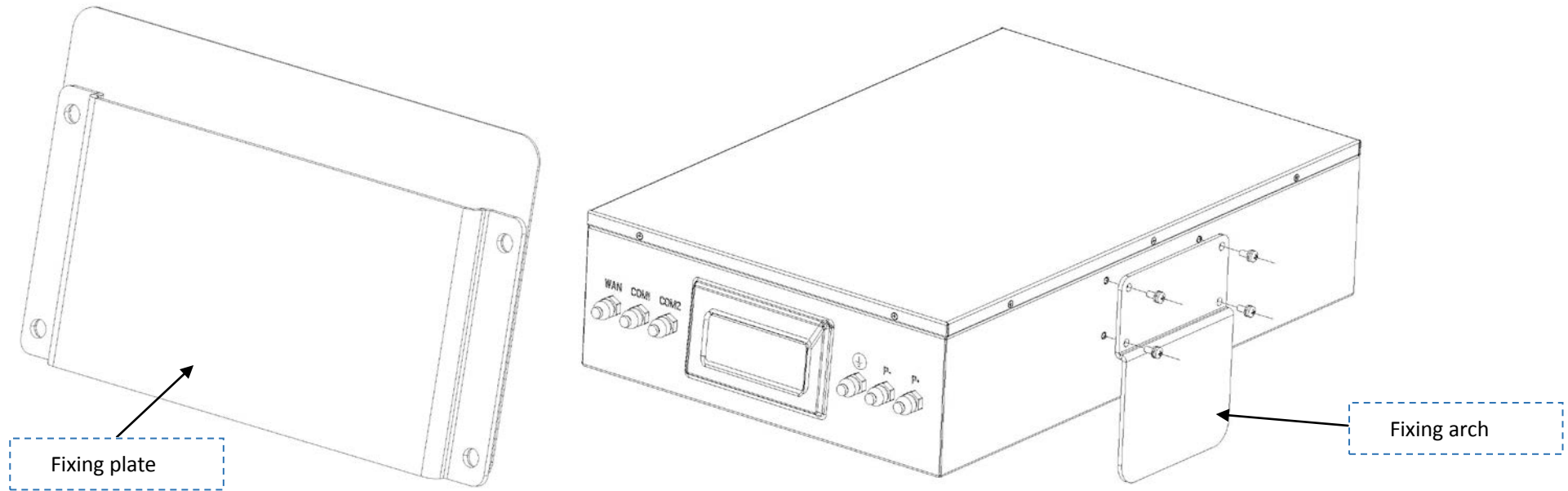
Base

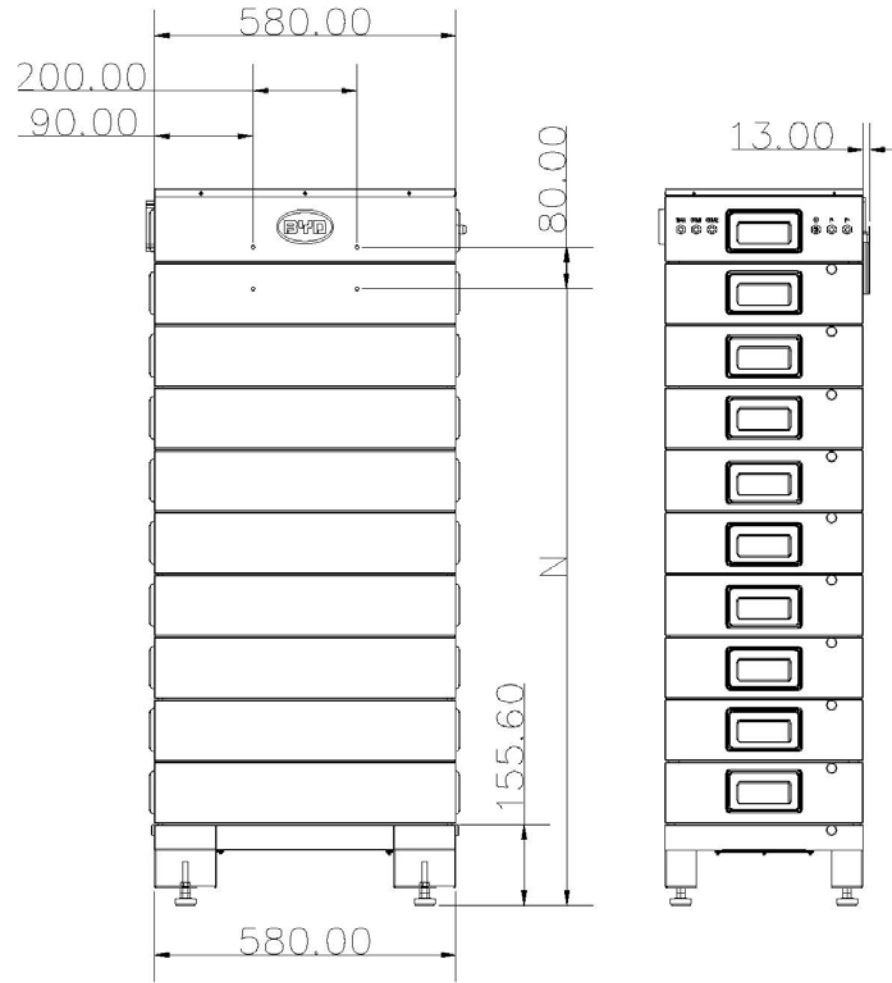


BCU

Step 3: adjust the support of the base; drill 4 holes on the wall with M6 expansion bolt (the distance between ground and the bottom holes depends on different module numbers, please refer to picture below; the distance between the bottom two holes and upper two holes is 80mm; the distance between the right two holes and left two holes is 200mm; the distance between the right edge to the right two holes is 190mm; the distance between the left edge to the left two holes is 190mm.); mount the fixing plate to the wall, and install the fixing arch onto the BCU module.

Tools: Cross screwdriver, impact drill, adjustable wrench

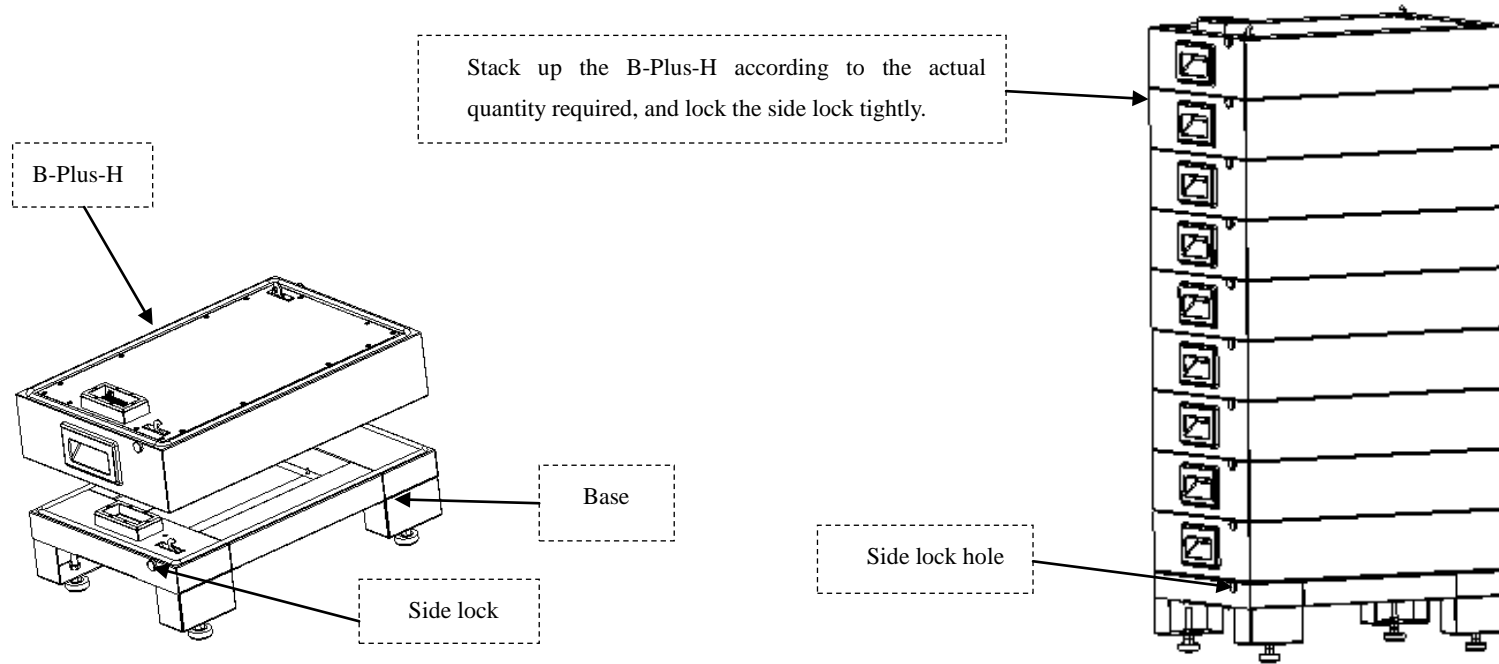


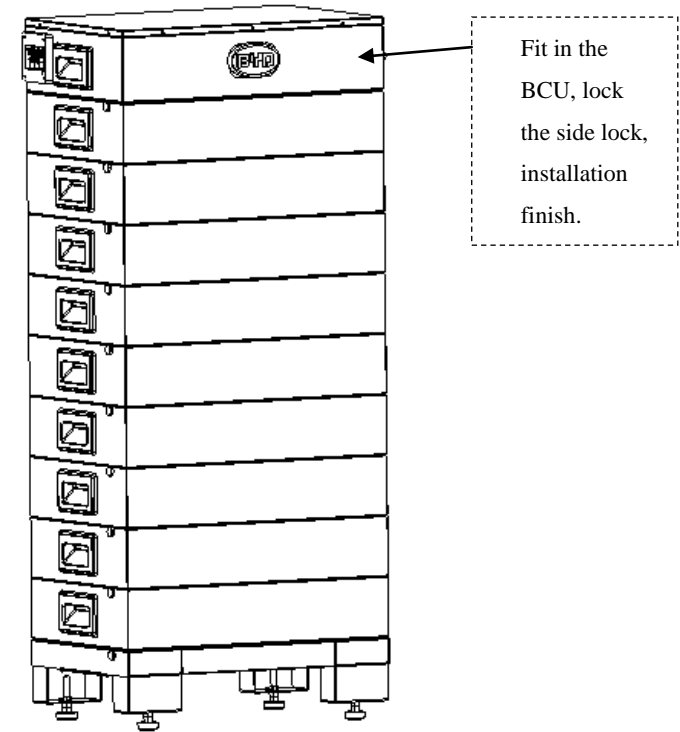
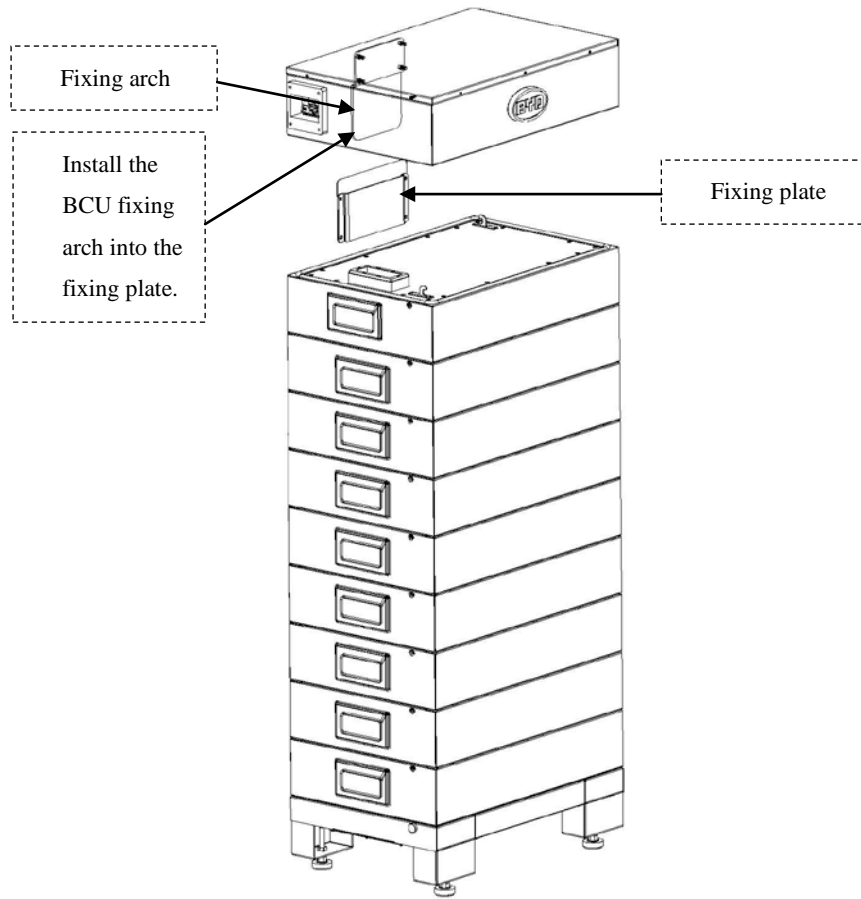


串联数量	5	6	7	8	9
底孔高度 (mm) N	786.1	906.1	1026.1	1146.1	1266.1

Step 4: Install the batteries (5pcs~9pcs), and lock the batteries with the base, ; then install BCU, and lock the batteries with BCU; the installation is completed.

Tool: Inner hexagon spanner



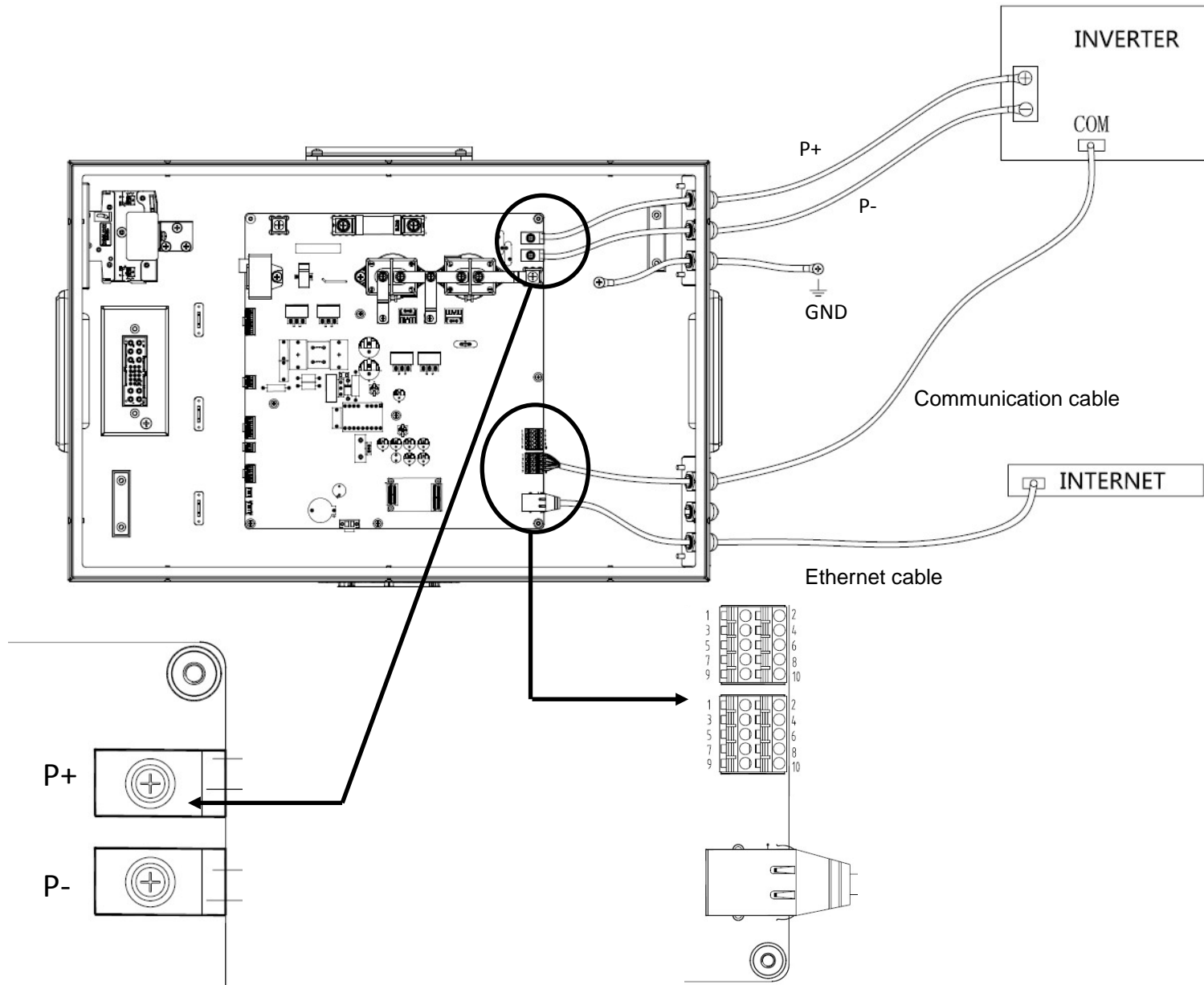


7 Connecting with the Inverter

Tools: Cross screwdriver, with torque force: $25 \pm 2.5 \text{Nm}$.

1. Open the top cover of the BCU.
2. Connect the power cable: get the positive and negative cables through the PG head, connect them into BCU case, and then install them onto the positive and negative terminals respectively.
3. Connect the communication cable and Ethernet cable: connect the communication cable. The definition of communication cable is as follows:

Pin	Definition	Description
1	13V+	Positive terminal of 13V output
2	EN 11V+	Positive terminal for inverter enable signal interface
3	13V-	Negative terminal of 13V output
4	EN 11V-	Negative terminal for inverter enable signal interface
5	RS485A	
6	CANH	
7	RS485B	
8	CANL	
9	Shield	Signal line shielding layer
10	NC	Null



No.	Interface Name	Description
1	P+	The system positive terminal, connected to the inverter positive terminal for battery
2	P-	The system negative terminal, connected to the inverter negative terminal for battery
3	GND	Grounding terminal, connected to the ground.
4	Ethernet	Connected to the Ethernet, to complete the functions of communication and remote program update.
5	Inverter communication	Contain RS485, CAN, and EN enable signals, outputting 13V power.

Cable recommendation:

Cable definition	Cable diameter (mm)	Sectional area (mm ²)	Recommended cable type
P+ connection cable	Φ4~Φ6.8	6~10	UL1015 10AWG-8AWG
P- connection cable	Φ4~Φ6.8	6~10	UL1015 10AWG-8AWG
Grounding cable	Φ4~Φ6.8	6~10	UL1015 10AWG-8AWG
Communication cable	Φ4~Φ6.8	/	cat5e or above
Ethernet cable	Φ4~Φ6.8	/	cat5e or above

8 System Boot

Note: Before activating the system, please check the following items:

Confirm the inverter is not connected reversely;

Ensure reliable connection of communication cable between battery and inverter.

8.1 Switch on the Air Switch of Battery

8.2 Set the BCU

I . Log in

Enter correct IP address in the browser (IE, Google Chrome or Mozilla Firefox browsers are recommended), and then enter the account number and password to log in (the login ID: installer; password: byd@12345).

Log in the WEB interface by selecting one of the following ways:

1. WIFI

First, connect the computer to the system's WIFI (name: BYD+ product serial number without the first three numbers (for example: product serial number is BYD100171708-00000, then WIFI name will be BYD171708-00000, password: 123456789); then enter the IP: 192.168.5.1 in the browser, and enter the account number and password to log in.

2. LAN

Connect the battery system and the computer in the same LAN through router, get the system's IP address on the router web page, then enter the system's IP address or its host name (e.g. BYD171708-00000) in the browser, and enter the account number and password to log in.

3. Direct connection with network cable

Directly connect the computer to the network interface of battery system with the network cable, set the computer's IP address to put the computer and the system on the same network segment, enter the IP: 192.168.6.1 in the browser, and enter the account number and password to log in.

The interface after successful login is shown as below:

Clean Energy Change Life

B-Box H

- Device Information
- Statistic Information
- Current Alarm
- History Alarm
- Run Data
- Set Password
- User Information
- Upgrade
- Reboot and Restore
- Manage Parameter
- BMS Parameter

Device Information

Machine

SN:	100171708-00001
Factory time:	1970-1-1 4:40:17
Version:	V1.001 R

Board

SN:	test
Factory time:	1970-1-1 8:3:34

Network

wlan0	192.168.5.1
eth0	10.5.78.45
eth0:2	192.168.6.1

Change Log

```
V1.000
1.Initial revision.
```

Copyright © 2017-2027 BYD Company Limited. All Rights Reserved.

II . View and Set User Information

Click on the “User Information” menu in the left list to view or set the system’s user information (e.g. the server IP, the geographic location, the number of system groups, the quantity of batteries of one group of system, etc.). First set related parameters, mandatory parameters including sever IP (set as `bbboxserver.byd.com.cn`), installation latitude and longitude, array count (set as 1), number of B-Plus-H (according to actual modules of the system, 5~9pcs), inverter model (e.g SMA, KOSTAL etc.), timezone and tiem, other information is optional.

Click on “Apply” button to reset the user information, and after that, the system will restart automatically. Click on “Cancel” button, and the original user information will be displayed.

BYD Build Your Dreams

Clean Energy Change Life

User Info

Server Ip Address :

AddressPosition : Latitude :
 Longitude :

Array Count :

Series Battery Count :

Install Time : 2017-7-10 14:54:27

State :

Inverter :

User Name :

Email :

Telephone :

Address :

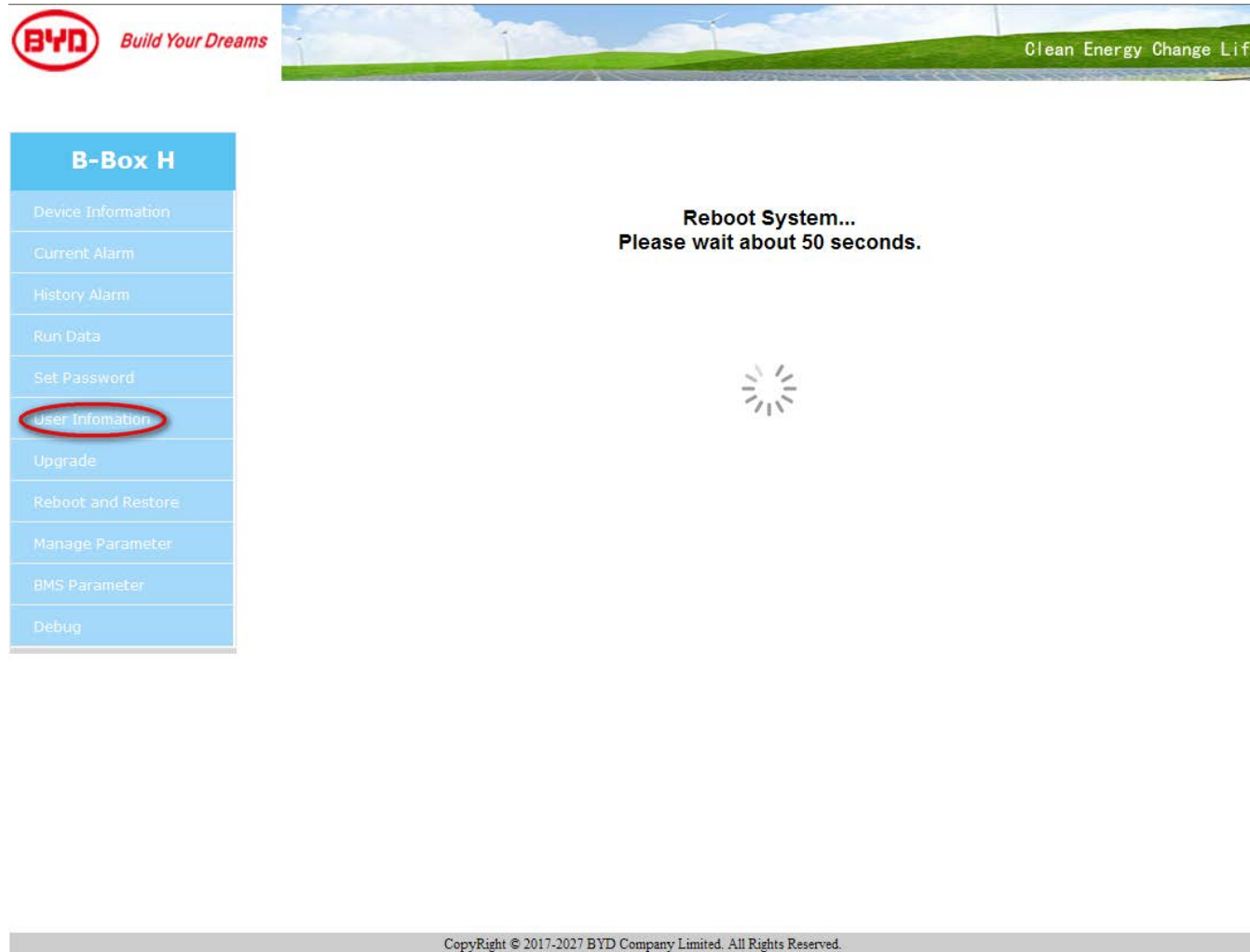
Country :

Time and Date:

Time Zone:

CopyRight © 2017-2027 BYD Company Limited. All Rights Reserved.

After clicking on “Apply” button, the system will set the parameters automatically, and please wait patiently, and ensure the system will not be powered off; otherwise, the setting might fail. After setting, the following interface will appear on the webpage:

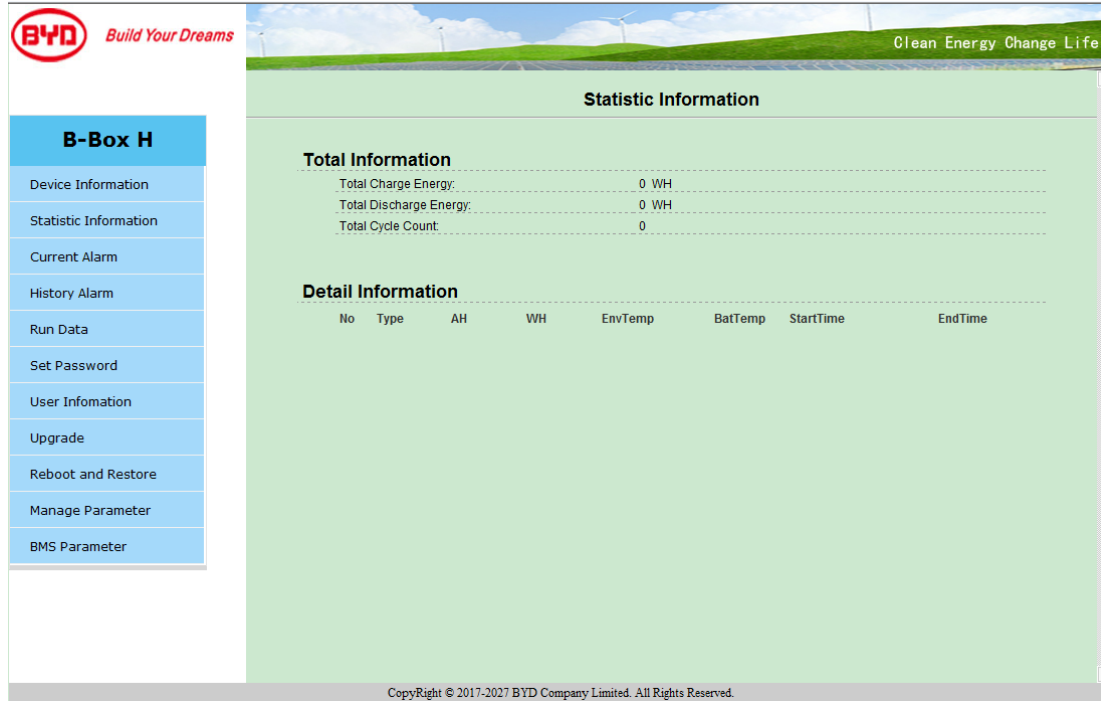


Note: After setting, the system will be restarted automatically.

III. Other functions of the webpage

1) View charging and discharging records

Click the 'Statistic information' on the left, the user can check the total charging and discharging data, and the charging and discharging history as well.



The screenshot displays the web interface for the B-Box HV system. The top header features the BYD logo and the slogan "Build Your Dreams" on the left, and "Clean Energy Change Life" on the right. The main content area is titled "Statistic Information" and is divided into two sections: "Total Information" and "Detail Information".

Total Information

Total Charge Energy:	0	WH
Total Discharge Energy:	0	WH
Total Cycle Count:	0	

Detail Information

No	Type	AH	WH	EnvTemp	BatTemp	StartTime	EndTime
----	------	----	----	---------	---------	-----------	---------

The sidebar on the left contains the following navigation options: B-Box H, Device Information, **Statistic Information**, Current Alarm, History Alarm, Run Data, Set Password, User Information, Upgrade, Reboot and Restore, Manage Parameter, and BMS Parameter. The footer of the page reads "CopyRight © 2017-2027 BYD Company Limited. All Rights Reserved."

2) View current alarm

Click the 'Current Alarm' on the left, the user can check the current alarm of the system.

The screenshot shows the B-Box HV system interface. At the top left is the BYD logo with the slogan "Build Your Dreams". At the top right is the slogan "Clean Energy Change Life". The main content area is titled "Current Alarm" and contains a table with the following data:

No	Alarm Name	Main	Sub1	Sub2	Alarm Level	Alarm StartTime
1	Battery Break	0	0	0	3	1970-1-2 2:27:30
2	Hardware Fault	0	1	0	3	1970-1-2 2:27:30
3	Mointor COMM	0	1	0	3	1970-1-2 2:26:31

On the left side, there is a navigation menu for "B-Box H" with the following options: Device Information, Statistic Information, Current Alarm (selected), History Alarm, Run Data, Set Password, User Infomation, Upgrade, Reboot and Restore, Manage Parameter, and BMS Parameter. At the bottom of the interface, there is a copyright notice: "CopyRight © 2017-2027 BYD Company Limited. All Rights Reserved."

3) View history alarm

Click the 'History Alarm' on the left, the user can check the history alarm.

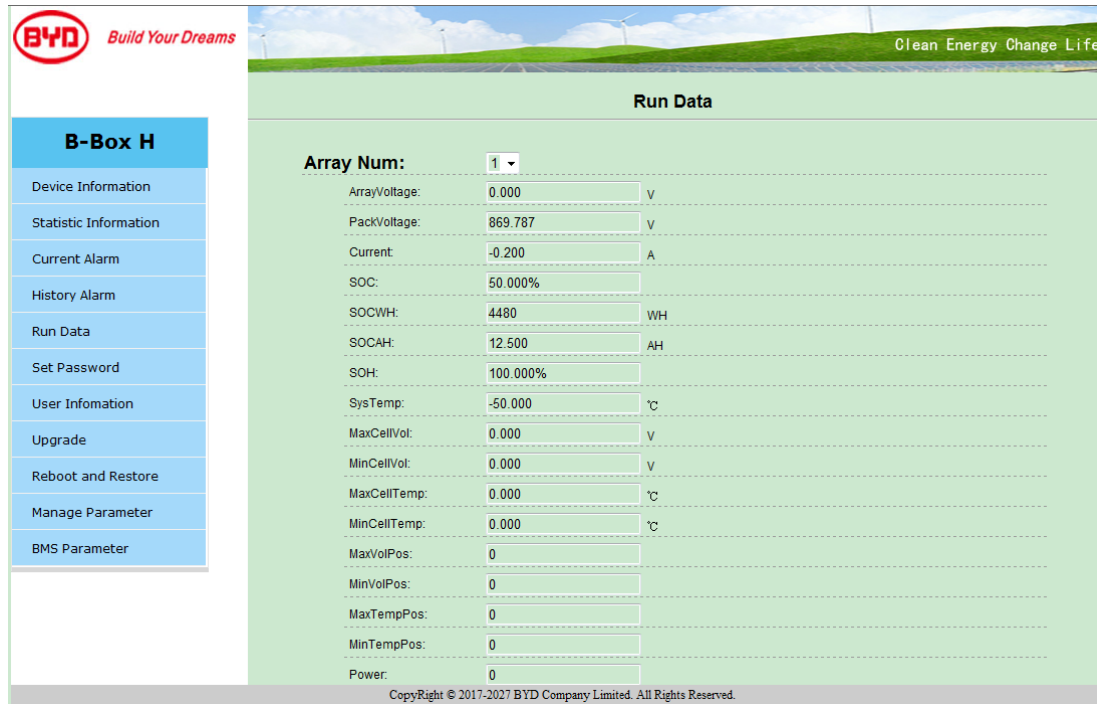
The screenshot shows the BYD B-Box H web interface. On the left is a sidebar with the following menu items: Device Information, Statistic Information, Current Alarm, History Alarm (selected), Run Data, Set Password, User Information, Upgrade, Reboot and Restore, Manage Parameter, and BMS Parameter. The main content area is titled 'History Alarm' and contains a table with the following data:

No	Alarm Name	Main	Sub1	Sub2	Alarm Level	Alarm StartTime	Alarm EndTime	Reason
1	BCU Comm	0	0	0	3	1970-1-2 2:27:31	1970-1-2 2:27:31	Restore
2	Mointor COMM	0	1	0	3	1970-1-2 2:26:31	1970-1-2 2:27:30	PowerDown
3	Hardware Fault	0	1	0	3	1970-1-2 2:27:30	1970-1-2 2:27:30	PowerDown
4	Battery Break	0	0	0	3	1970-1-2 2:27:30	1970-1-2 2:27:30	PowerDown
5	Start	0	0	0	1	1970-1-2 2:26:23	1970-1-2 2:26:23	Record
6	Start	0	0	0	1	1970-1-2 10:25:45	1970-1-2 10:25:45	Record

Below the table are two buttons: 'Clear' and 'Export'. At the bottom of the page, there is a copyright notice: 'CopyRight © 2017-2027 BYD Company Limited. All Rights Reserved.'

4) View the run data

Click the “Run Data” on the left, the user can view the run data of the system, including battery voltage, current and temperature etc.



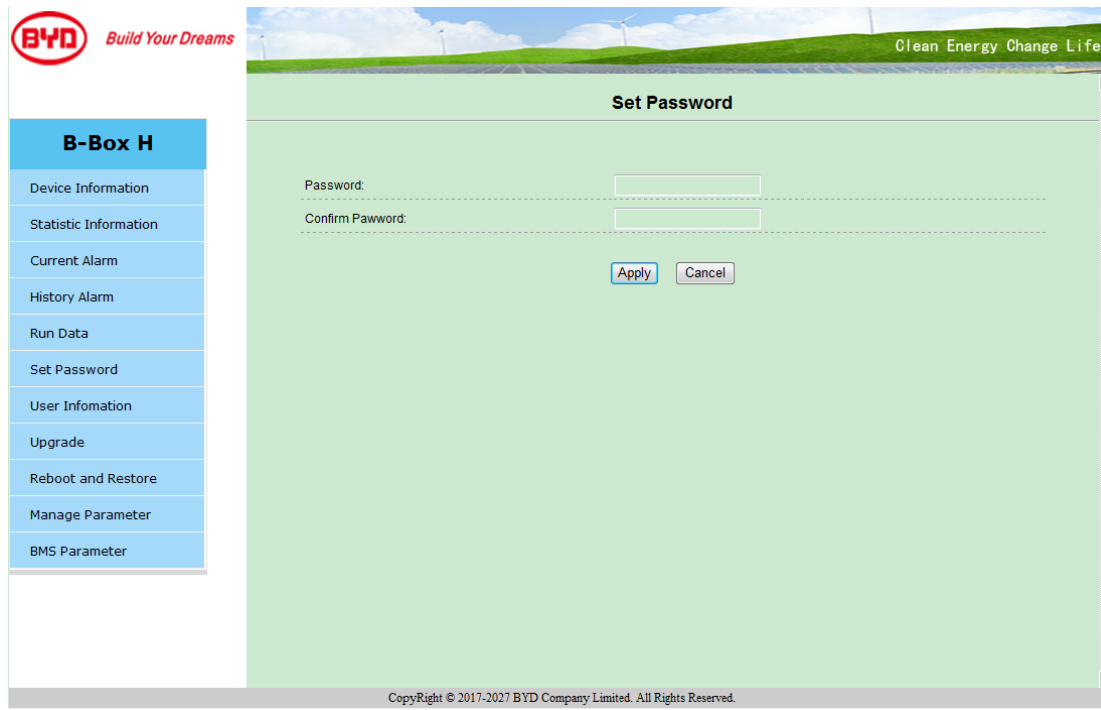
The screenshot displays the BYD B-Box H Run Data interface. The sidebar on the left contains the following navigation options: Device Information, Statistic Information, Current Alarm, History Alarm, Run Data (selected), Set Password, User Information, Upgrade, Reboot and Restore, Manage Parameter, and BMS Parameter. The main area shows the Run Data for Array Num 1, with the following parameters:

Parameter	Value	Unit
ArrayVoltage:	0.000	V
PackVoltage:	869.787	V
Current:	-0.200	A
SOC:	50.000%	
SOCWH:	4480	WH
SOCAH:	12.500	AH
SOH:	100.000%	
SysTemp:	-50.000	°C
MaxCellVol:	0.000	V
MinCellVol:	0.000	V
MaxCellTemp:	0.000	°C
MinCellTemp:	0.000	°C
MaxVolPos:	0	
MinVolPos:	0	
MaxTempPos:	0	
MinTempPos:	0	
Power:	0	

Copyright © 2017-2027 BYD Company Limited. All Rights Reserved.

5) Set the password

Click the “Set Password” on the left, the user can set the new password.

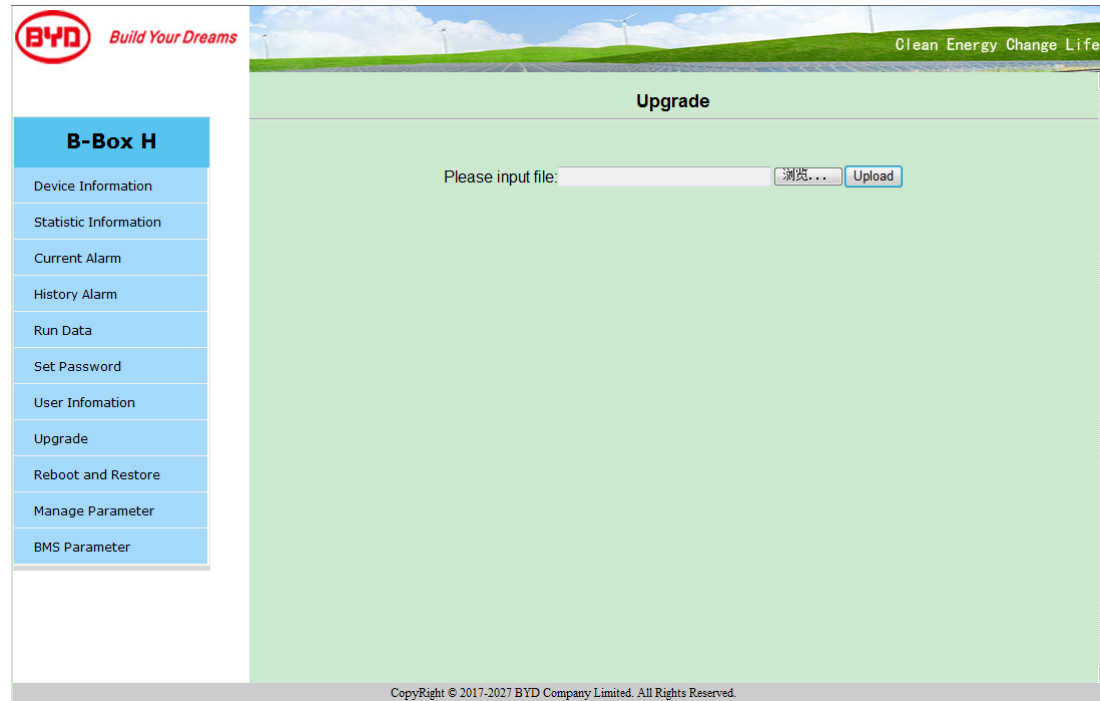


The screenshot displays the web interface for the B-Box HV system. On the left is a navigation menu with the following items: Device Information, Statistic Information, Current Alarm, History Alarm, Run Data, Set Password (highlighted), User Information, Upgrade, Reboot and Restore, Manage Parameter, and BMS Parameter. The main content area is titled "Set Password" and features two input fields: "Password:" and "Confirm Password:". Below these fields are "Apply" and "Cancel" buttons. The interface includes the BYD logo and slogan "Build Your Dreams" at the top left, and the slogan "Clean Energy Change Life" at the top right. A footer at the bottom reads "CopyRight © 2017-2027 BYD Company Limited. All Rights Reserved."

6) Software update

Click the 'Upgrade' on the left, click 'Browse' and upload the updating file, and then click 'upgrade' to finish the updating.

NOTE: after updating, the system will restart automatically, please wait patiently.



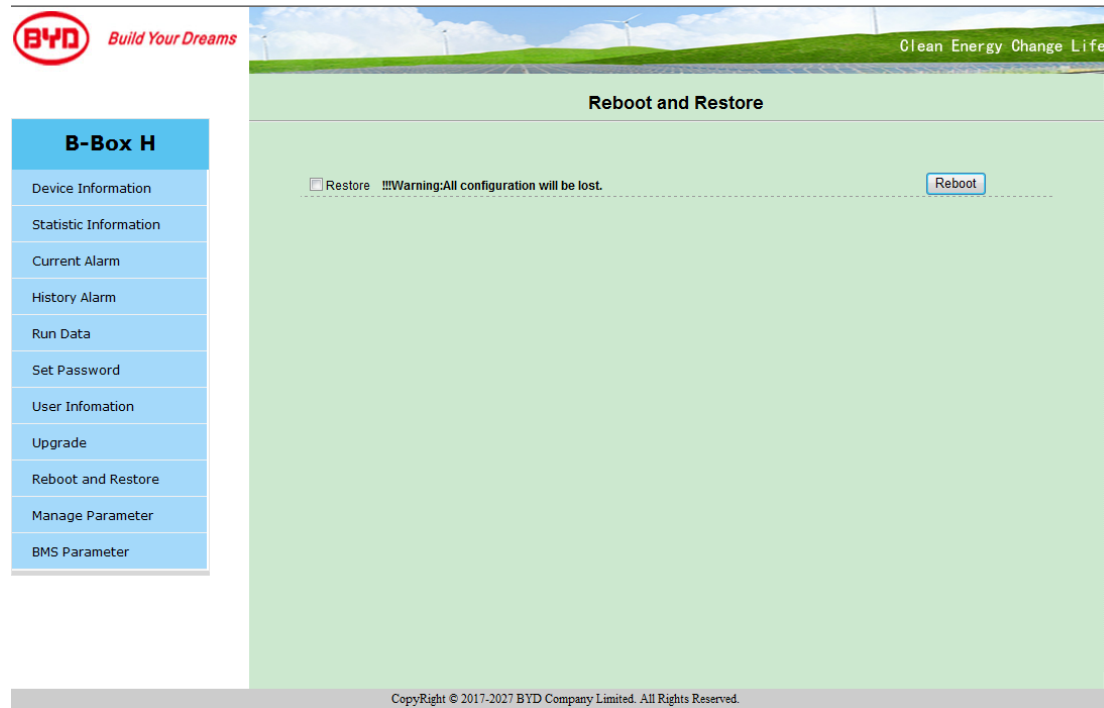
7) Reset to default

Click the 'Reboot and Restore' on the left, select 'Restore', and then press 'Reboot'.

NOTE: 1. Be cautious, all configuration settings will be lost after restore;

2. Press 'Reboot', system will restart automatically.

3. Used for professionals maintaining only, DO NOT reset to default by yourself.



8) View the managing parameters

Click the 'Manage Parameter' on the left, the user can view the managing parameters, including charge and discharge cut voltage, charge and discharge limit current, temperature and etc.

The screenshot displays the 'ManagePara' interface for the B-Box H system. On the left is a navigation menu with the following items: Device Information, Statistic Information, Current Alarm, History Alarm, Run Data, Set Password, User Information, Upgrade, Reboot and Restore, Manage Parameter (highlighted), and BMS Parameter. The main content area is titled 'ManagePara' and is divided into three sections: 'VolPara', 'ChgTempPara', and 'DisTempPara'. Each section contains several parameters with input fields and their current values.

VolPara:			
dwStopCellChgVol	3600	dwStopCellDisVol	2800
dwStopArrayChgVol	3400	dwStopArrayDisVol	2900
ChgTempPara:			
i16LowAlarm	-200	i16LowWaring	-100
	0		20
i16Value	100	i16SetCur	50
	500		80
	600		0
			0
i16HighWaring	700	i16HighAlarm	800
DisTempPara:			
i16LowAlarm	-400	i16LowWaring	-200
	500		200
	600		0
i16Value	0	i16SetCur	0
	0		0
	0		0
i16HighWaring	650	i16HighAlarm	800

Copyright © 2017-2027 BYD Company Limited. All Rights Reserved.

9) View the BMS parameters

Click the 'BMS Parameter' on the left, the user can view the BMS parameters, including charging protection parameters, discharging protection parameters, temperature and etc.

BYD Build Your Dreams

Clean Energy Change Life

B-Box H

- Device Information
- Statistic Information
- Current Alarm
- History Alarm
- Run Data
- Set Password
- User Information
- Upgrade
- Reboot and Restore
- Manage Parameter
- BMS Parameter

BMSSet

DischargePara:

dwAlmCurrentValue_N	100	dwAlmCurrentValue_NR	50
dwAlmCurrentTime	10	dwAlmOC_N	2200
dwAlmOCTime_N	10	dwAlmOCTime_R	300
dwAlmOCTime_S	3600	dwAlmOCTimes_S	3
dwAlmOC_F	2200	dwAlmOCTime_F	15
dwAlmOC_U	2500	dwAlmOCTime_U	3
dwAlmDV_N	2500	dwAlmDV_NR	3000
dwAlmDV_S	2000	dwAlmDV_SR	3000
dwAlmDVChgTime_SR	4		
dwAlmDV_F	1500	dwAlmDV_FR	2500
dwAlmSOC_N	20	dwAlmSOC_NR	25
dwLimitVol	2800	dwLimitCurFactor	25

ChargePara:

dwAlmOC_N	600	dwAlmOCTime_N	10
dwAlmOCTime_NR	300	dwAlmOCTime_S	3600
dwAlmOCTimeS_S	5	dwAlmOC_F	600

CopyRight © 2017-2027 BYD Company Limited. All Rights Reserved.

8.3 Switch on the Inverter

8.4 Switch on the air switch of the battery, and the system can work normally

9 System Shutdown

Note: Please power off the inverter before shutting down the system.

After the system is shut down, check the following items:

The inverter is powered off.

The battery system is switch off.